

LEVEL SENSOR

Model TK-020

Without contacting liquid, Toyoko LEVEL SENSOR can detect any liquid in the tube by a sharp focus of optical method, showing the border position.

TK-020 Sensor is designed for smaller diameter tubes to be installed in. 3mm to 6mm is its capable tube size of the application, typically good for the many fields such as medical, semiconductor, chemical and far more as you may belong with.

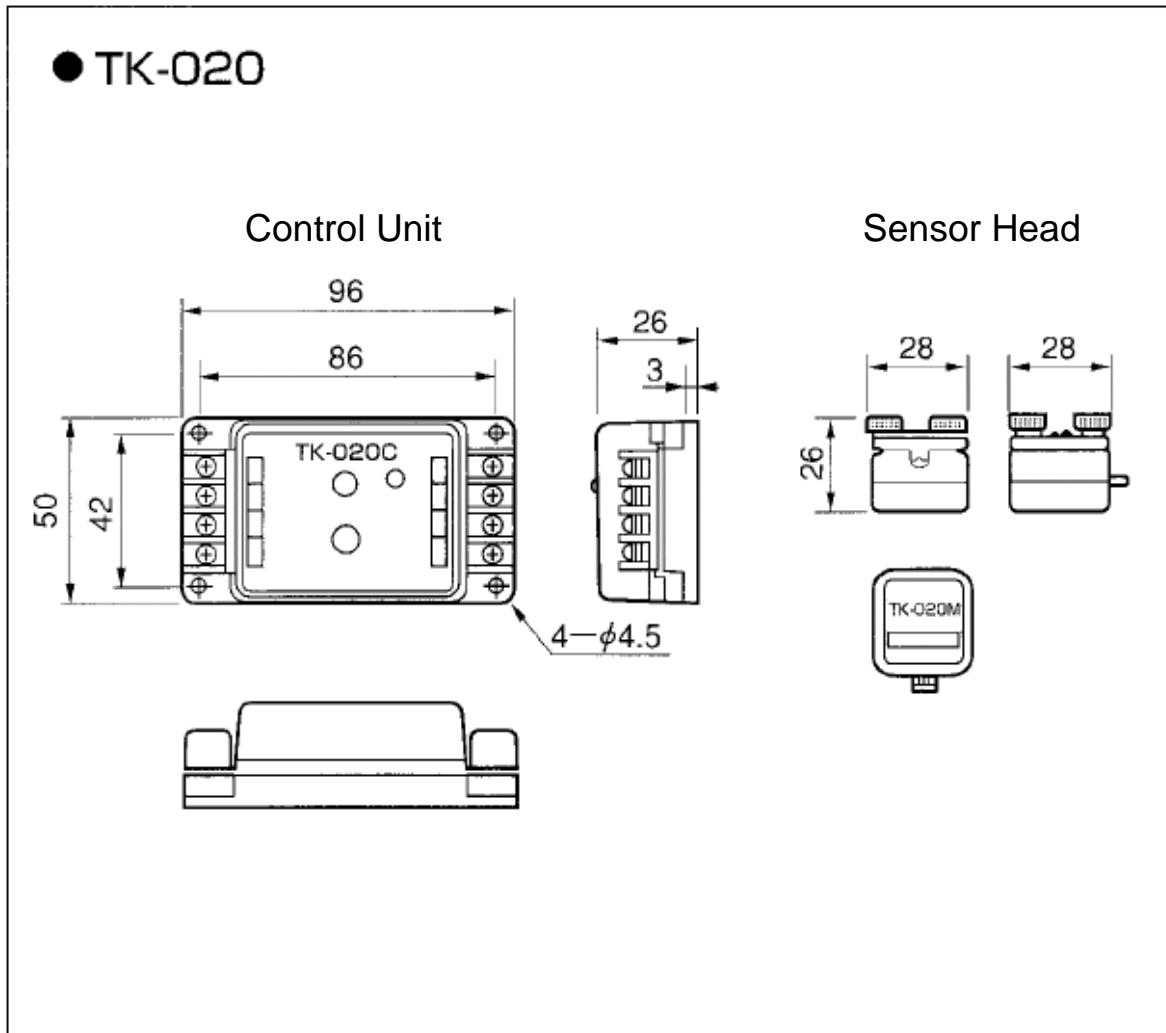


TK series are photoelectric type sensors that detect if there is Liquid or no Liquid in the transparent or semi-transparent tube from outside.

TK series detectors do not generate any contamination in the clean and purified liquids, because the detector do not contact with the liquid at all.

TK series detectors can be used for strong acid, strong alkali and solvent regardless of its color, viscosity, and even its statistical characteristics.

Dimensions



Specifications

Model	Control Unit: TK-020C Sensor Head: TK-020M	
Voltage, Power	24V DC ± 10%	
Power Consumption	55mA or below	
Applicable Tube Diameter	3mm to 6mm (0.12" to 0.24")	
Detecting method	Infrared photoelectric method	
Output	NPN Transistor Open Collector, Max 50mA	
Ambient Temperature	0 to 60degC (32 to 140 deg F)	
Adjusting Sensitivity	Refer to an operation manual.	
Water Protect	Silicone stuffed (Sensor Head)	
Material	Control Unit	Poly- Carbonate
	Sensor Head	ABS resin
Cable	Flat cable, 4-line, 2m(6.6ft) length	
Weight (approx)	50g (Sensor Head), 75g (Control Unit)	
LED Indicator	Red: Liquid exist, Green: Empty	



TOSHNIWAL SENSING DEVICES PVT. LTD.

E-19/20, INDUSTRIAL ESTATE MAKHUPURA, AJMER-305002, INDIA

TEL: +91-145-2695482, FAX: +91-145-2695006

CUSTOMER CARE: +91-9571897879

E-MAIL: sales@tsdpl.com, WEBSITE: www.tsdpl.com