

# Buzzer Alarm Liquid Leak Sensor

## RS-3000/3500 FAP-BZ



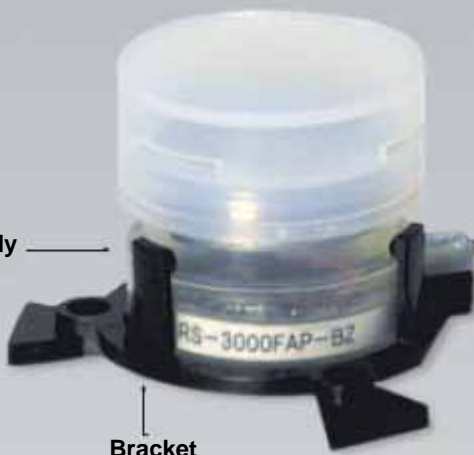
**Buzzer** alarms liquid leakage  
to enable a swift and clear  
treatment at correct point

**Sound  
Alarm  
Featured**

CE Mark Compliance   
UL Recognized Products   
EU-RoHS Compliance 

In a complex and large factory,  
“Sound” saves time for locating  
where the leakage happens.

Sensor Body



Bracket  
(P/N-6720B)

### Features

- \*RS-3000/RS-3500 FAP-BZ detects leak of almost every kind of liquid by optical-electrical method
- \*Either standalone use, or interfaced with a Control Unit is available by choice for application to the same Detection Unit
- \*The case material of Detection Unit is featured by PFA, resisting against corrosive liquids or atmosphere, and complete water-protected feature of sound loud hole is fabricated



Bracket  
P/N-6718 (SUS316)

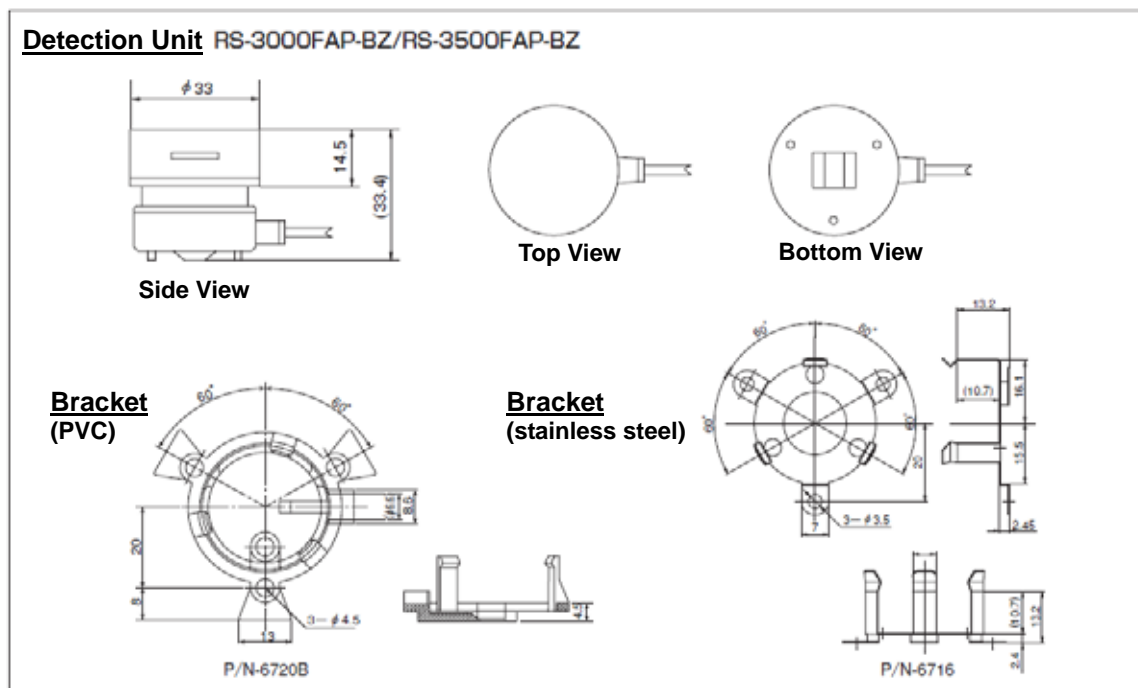
## Specification

Model		RS-3000FAP-BZ	RS-3500FAP-BZ	
Supply Voltage		DC24V (± 10%)		
Consume Current		30 mA or below		
Output Configuration		NPN Open Collector, 50mA max, single	PNP Open Collector, 50mA max, single	
Functions	LED Light Display	Buzzer	Output Signal	
	Normal Status	Green stable ON	OFF	ON
	Leak Status	Red flicker ON	ON	OFF
	Wrong Location	Red flicker ON	OFF	OFF
Consume Current		Available with RS-3000C	Available with RS-3500C	
Ambient Temperature		-10 deg C to 60 deg C		
Mat'l	Case Body	PFA		
	Cable	FEP, 3-wire sheath		
Water Protection		Sealed structure, equivalent IP67 (IEC)		
Weight		approx 55g		
Absorbent Paper		Not required		
Breaker *1		P/N-6716 (Stainless Steel), or P/N-6720B (PVC)		
Cable Length *2		2m (standard), 5m (optional) *2		

\*1 When ordering, designate with suffix code (-6716) or (-6720B) at the last row of the code number of the model to define the attached accessory of Bracket

\*2 If optional 5m cable length is required, add the suffix code of -5M into the code number between the -BZ and above Bracket code. eg. RS-3000FAP-BZ-5M(-6716)

## Outlooks



**TOSHNIWAL SENSING DEVICES PVT. LTD.**

E-19/20, INDUSTRIAL ESTATE MAKHUPURA, AJMER-305002, INDIA

TEL: +91-145-2695482, FAX: +91-145-2695006

CUSTOMER CARE: +91-9571897879

E-MAIL: solesetsdpl.com, WEBSITE: www.tsapl.com